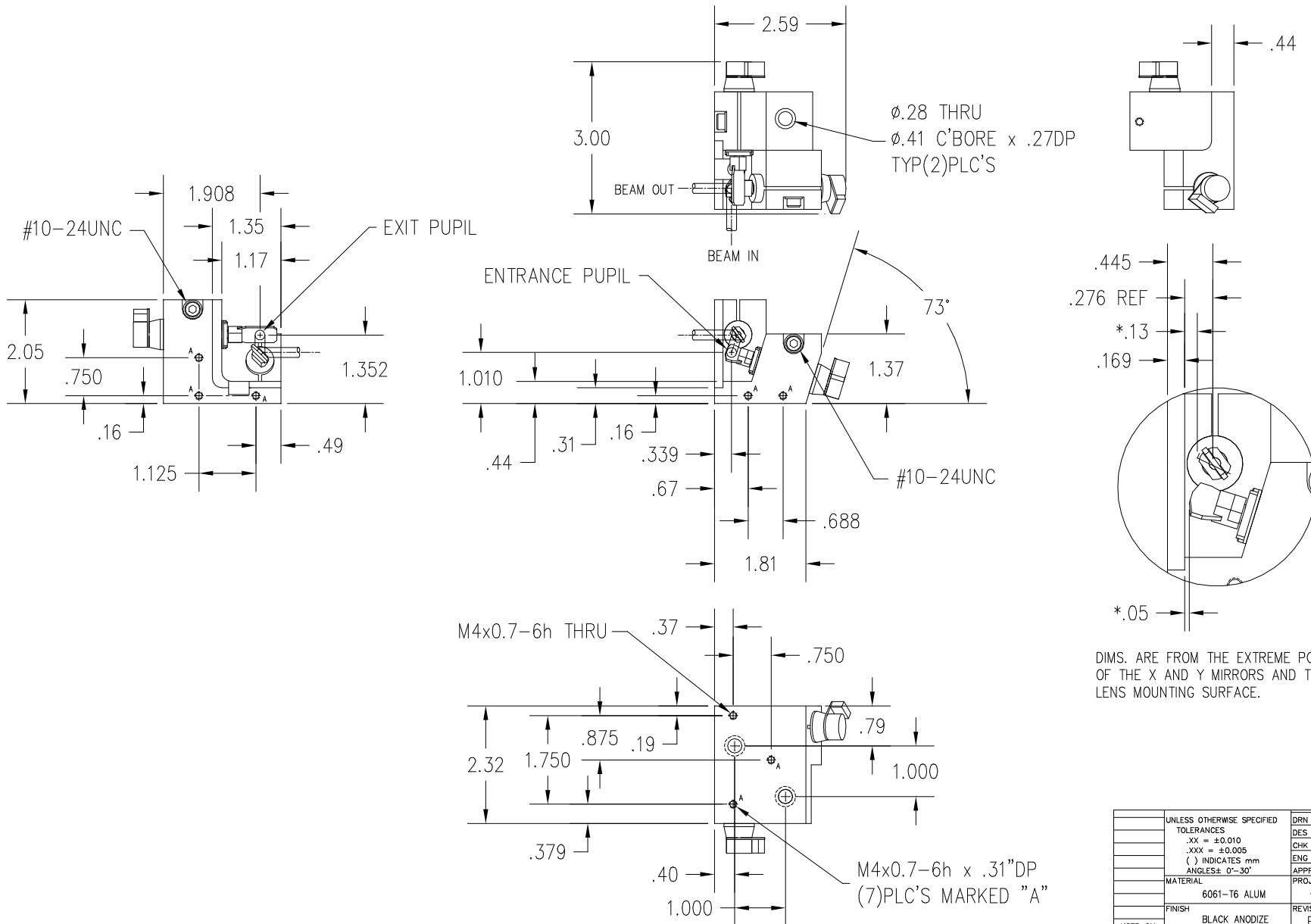


These drawings and specifications are the property of CAMBRIDGE TECHNOLOGY and shall not be reproduced, or copied, or used as the basis for the manufacture, or sale of apparatus without the written permission of CAMBRIDGE TECHNOLOGY, INC.

REVISION				CHK	DATE
ECO	REV	DESCRIPTION		PTH	
381.3	B	73° DIMENSION ADDED			5/07



DIMS. ARE FROM THE EXTREME POSITIONS OF THE X AND Y MIRRORS AND THE F ϕ LENS MOUNTING SURFACE.

UNLESS OTHERWISE SPECIFIED	DRN	6/5/00	PTH	CAMBRIDGE TECHNOLOGY, INC.
TOLERANCES	DES			25 HARTWELL AVENUE
.XX = ±0.010	CHK			LEXINGTON, MA. 02421 - USA
.XXX = ±0.005	ENG			6220 XY MNT INTRFC RH
() INDICATES mm	APPR			5mm x ±15° MECHANICAL
ANGLES: 0°-30°	PROJECTION			
MATERIAL	6061-T6 ALUM			D04314
FINISH	BLACK ANODIZE	REVISION	B	SCALE FULL SHEET 1 OF 1