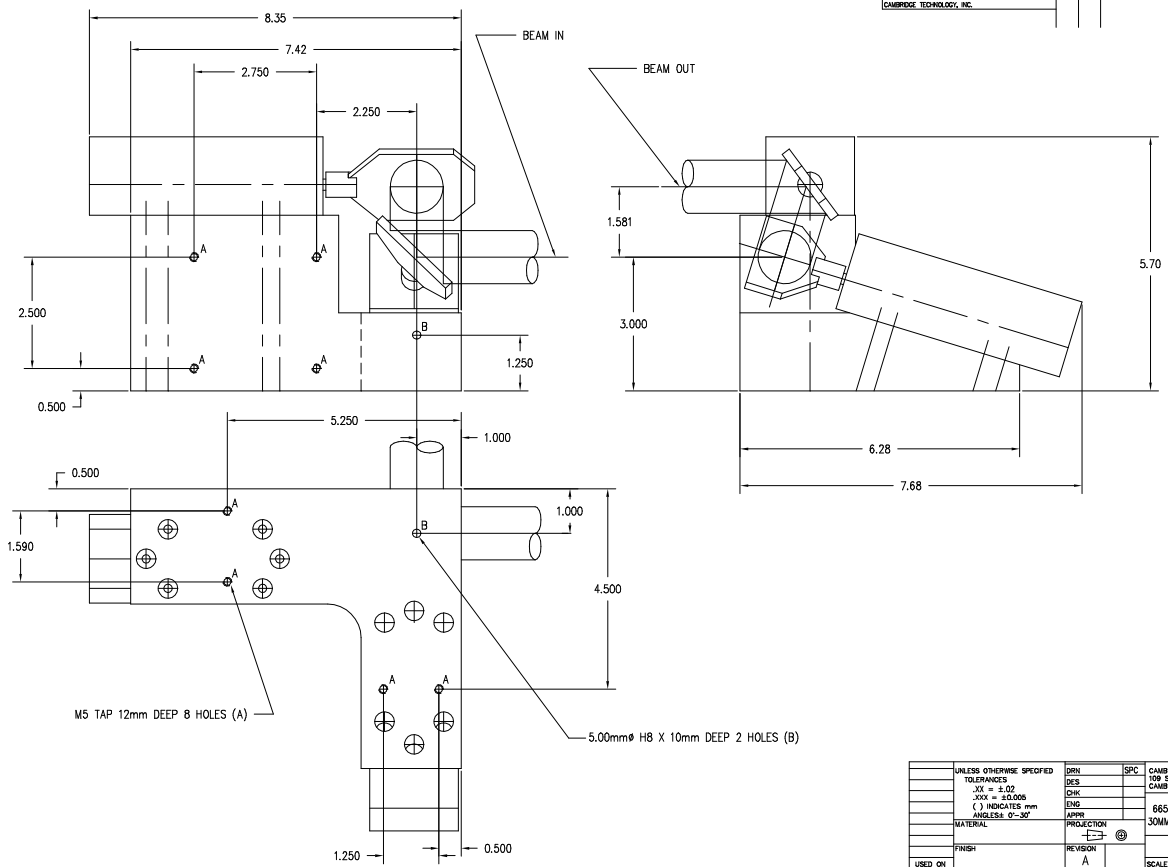


These drawings and specifications are the property of CAMBRIDGE TECHNOLOGY and shall not be reproduced, copied, or used as the basis for the manufacture, or sale of apparatus without the written permission of CAMBRIDGE TECHNOLOGY, INC.

REVISION		CHK	DATE
ZONE	REV	DESCRIPTION	



UNLESS OTHERWISE SPECIFIED	DRN	SPC	CAMBRIDGE TECHNOLOGY, INC.
TOLERANCES	DES		109 SMITH PLACE
XXX = ±.02	ENG		CAMBRIDGE, MA. 02138 - USA
XXX = ±0.008	ENG		6650 X/Y MOUNT INTERFACE
( ) INDICATES .mm	DRN		30MM APERTURE ±10' (MECH)
ANGLES: 0°-30°	DRN		
MATERIAL	PRODUCTION		
	①		
FINISH	REVISION		D02450
USED ON	A		SCALE: NONE SHEET 1 of 1