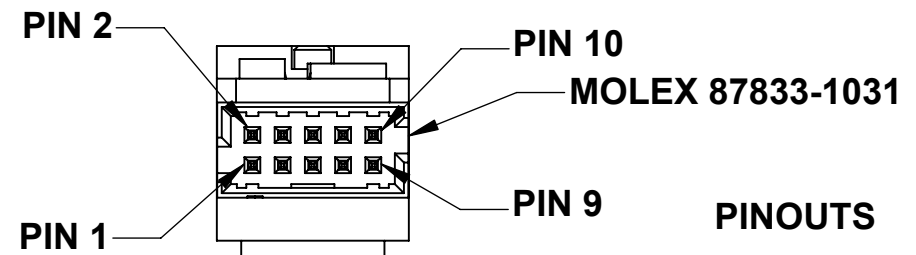
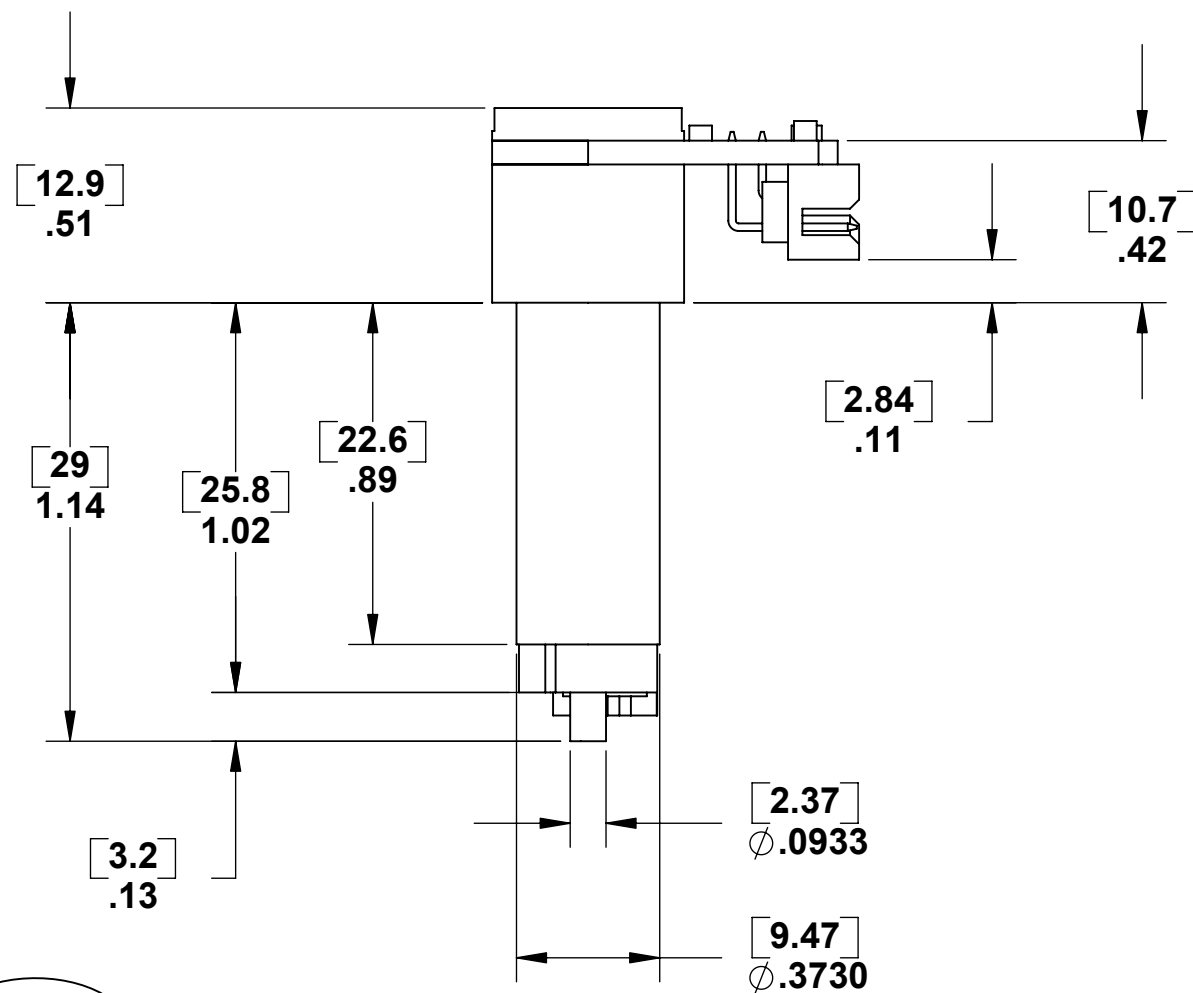


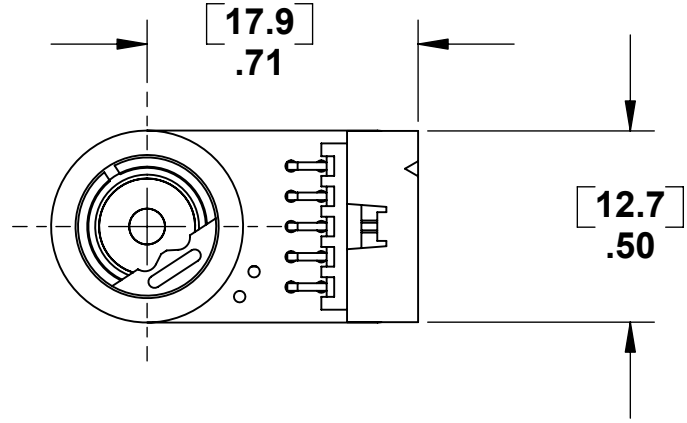
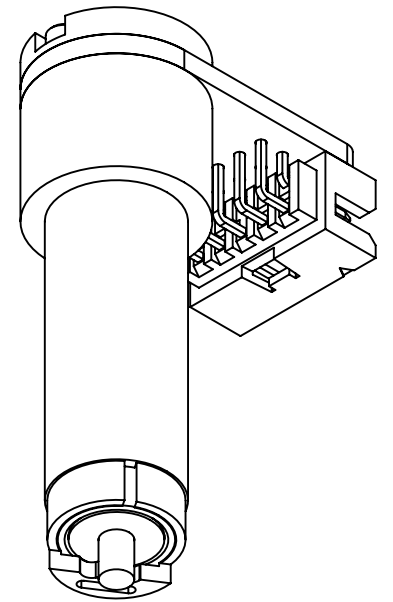
8 7 6 5 4 3 2 1

REVISIONS				
REV.	ECO	DESCRIPTION	DATE	APPROVED
A	2006-626	RELEASED	8/9/06	KP
B	2007-096	CORRECT PNOUTS	2/7/2007	



PINOUTS

I+	1
I-	2
COM	3
SHIELD	4
AGC+	5
AGC-	6
M+	7
M-	8
M+	9
M-	10



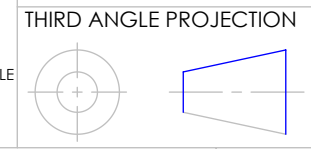
UNLESS OTHERWISE SPECIFIED:
 ALL DIMENSIONS ARE IN INCHES:
 $\angle : \pm 0.5^\circ$
 .X: ± 0.1
 .XX: ± 0.01
 .XXX: ± 0.005
 .XXXX: ± 0.0010
 -
 ALL MACHINED SURFACES:
 63 MICRONS RA

	NAME	DATE
DRAWN BY:	K PRUYN	12/5/2006
RESPONSIBLE ENGINEER:	K PRUYN.	3/30/06

GSI Group Corporation
 Precision Motion Division
 39 Manning Road, Billerica, MA. 01821

TITLE:
OUTLINE AND INSTALLATION
VM500+

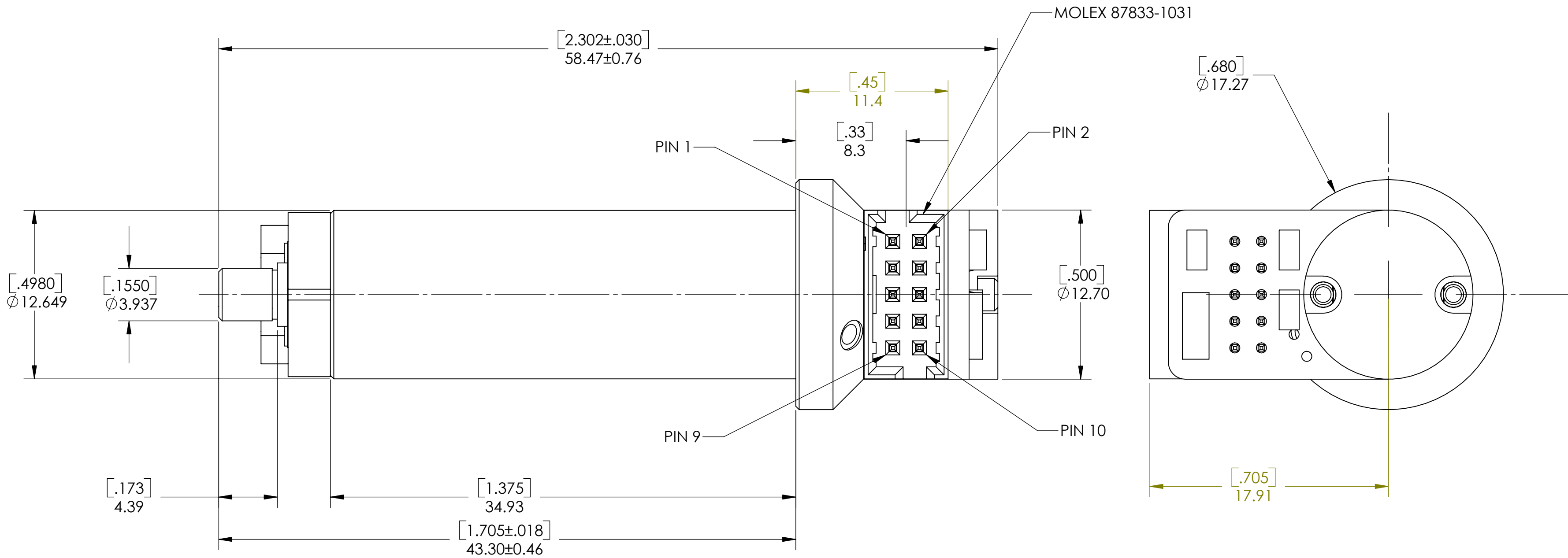
PROPRIETARY AND CONFIDENTIAL
 THE INFORMATION CONTAINED IN THIS DRAWING IS THE SOLE PROPERTY OF GSI GROUP CORPORATION. ANY REPRODUCTION IN PART OR AS A WHOLE WITHOUT THE WRITTEN PERMISSION OF GSI GROUP CORPORATION IS PROHIBITED.



CAD GENERATED. DO NOT MANUALLY UPDATE. DO NOT SCALE DRAWING.
 INTERPRET DRAWING IN ACCORDANCE WITH ANSI Y14.5M

SIZE	CAGE CODE	DWG. NO.	REV
B	57246	730-78834	B
SCALE: 2:1	CAD FILE NAME: 730-78834.SLDDRW		SHEET 1 OF 1

REVISIONS				
REV.	C.O.	DESCRIPTION	DATE	APPROVED
A	2006-627	RELEASE TO PRODUCTION		

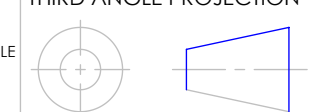


PINOUPS

I+	1
I-	2
COM	3
SHIELD	4
AGC+	5
AGC-	6
M+	7
M-	8
M+	9
M-	10

UNLESS OTHERWISE SPECIFIED:
 DIMENSIONS ARE IN INCHES OR
 ARE DUAL DIMENSION (INCH[METRIC])
 TOLERANCES:
 $\leq \pm 0.5^\circ$
 X: INCH ± 0.1 , METRIC: ± 2.5 MM
 XX: INCH ± 0.01 , METRIC: ± 0.25 MM
 XXX: INCH ± 0.005 , METRIC: ± 0.13 MM
 XXXX: INCH ± 0.001 , METRIC: ± 0.025 MM
 ALL MACHINED SURFACES:
 INCHES: $\sqrt{63}$
 METRIC: 1.6 MICRONS RA

THIRD ANGLE PROJECTION

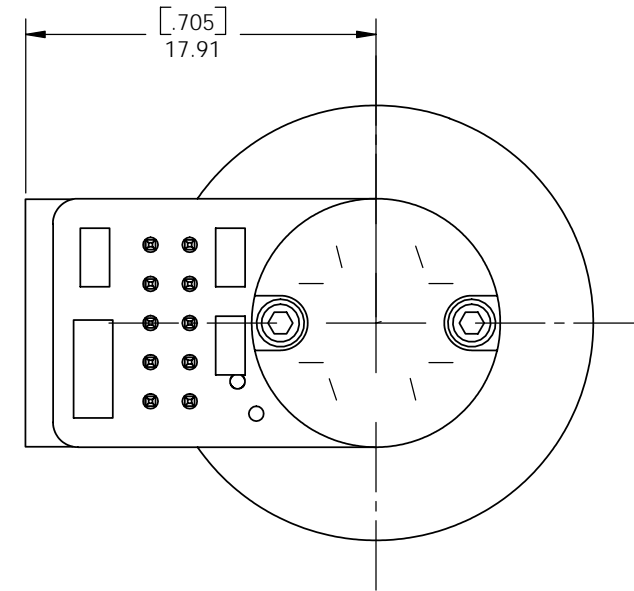
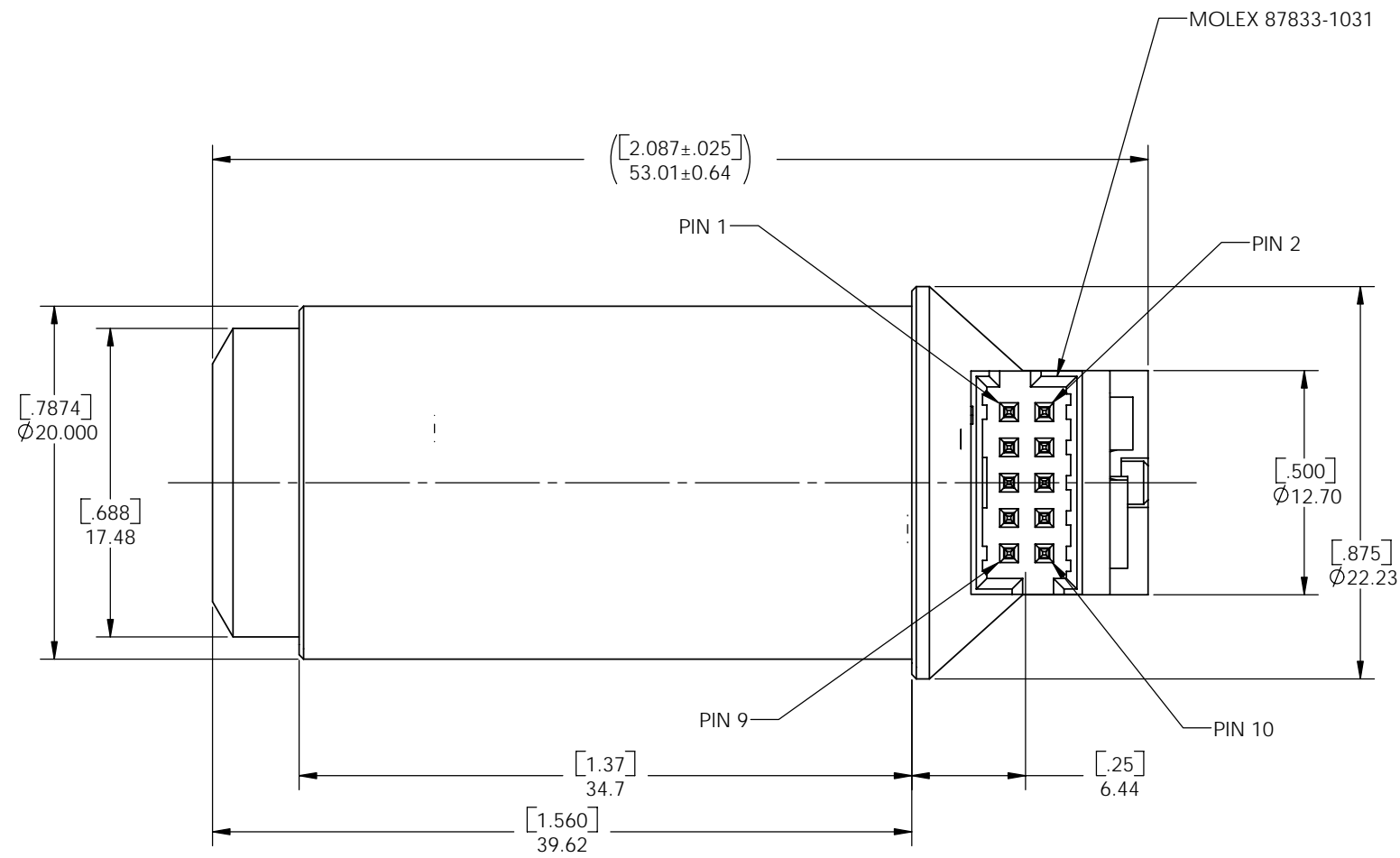


	NAME	DATE
DRAWN BY:	J MARTIN	3/7/06
RESPONSIBLE ENGINEER:		
CAD GENERATED. DO NOT MANUALLY UPDATE. DO NOT SCALE DRAWING.		
INTERPRET DRAWING IN ACCORDANCE WITH ANSI Y14.5M		

GSI Group Corporation
 Precision Motion Division
 39 Manning Road, Billerica, MA 01821
 TITLE: OUTLINE AND INSTALLATION
 VM1000+ BASE SCANNER

SIZE	CAGE CODE	DWG. NO.	REV
C	57246	730-79003	A
SCALE: 4:1	CAD FILE NAME: 730-79003.SLDRAW		SHEET 1 OF 1

REVISIONS				
REV.	C.O.	DESCRIPTION	DATE	APPROVED
1	2006-122	RELEASE TO PREPRODUCTION		
A	2006-628	RELEASE TO PRODUCTION	14/07	TM



PINOUTS

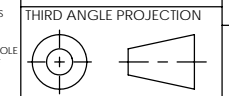
I+	1
I-	2
COM	3
SHIELD	4
AGC+	5
AGC-	6
M+	7
M-	8
M+	9
M-	10

UNLESS OTHERWISE SPECIFIED:
DIMENSIONS ARE IN MILLIMETERS

∠ 0.5°

X: ±0.5MM
Y: ±0.25MM
Z: ±0.15MM
XXX: ±0.025MM

ALL MACHINED SURFACES:
1.6 MICRONS RA



PROPRIETARY AND CONFIDENTIAL
THE INFORMATION CONTAINED IN THIS DRAWING IS THE SOLE PROPERTY OF GSI GROUP CORPORATION. ANY REPRODUCTION IN PART OR AS A WHOLE WITHOUT THE WRITTEN PERMISSION OF GSI GROUP CORPORATION IS PROHIBITED.

NAME	DATE
J MARTIN	3/7/06

CAD GENERATED. DO NOT MANUALLY UPDATE. DO NOT SCALE DRAWING.
INTERPRET DRAWING IN ACCORDANCE WITH ANSI Y14.5M

GSI Group Corporation
Precision Motion Division
39 Manning Road, Billerica, MA. 01821

TITLE:
OUTLINE AND INSTALLATION
VM2500+ BASE SCANNER

SIZE	CAGE CODE	DWG. NO.	REV
C	57246	730-79004	A

SCALE: 4:1

CAD FILE NAME: 730-79004.SLDDRW

SHEET 1 OF 1