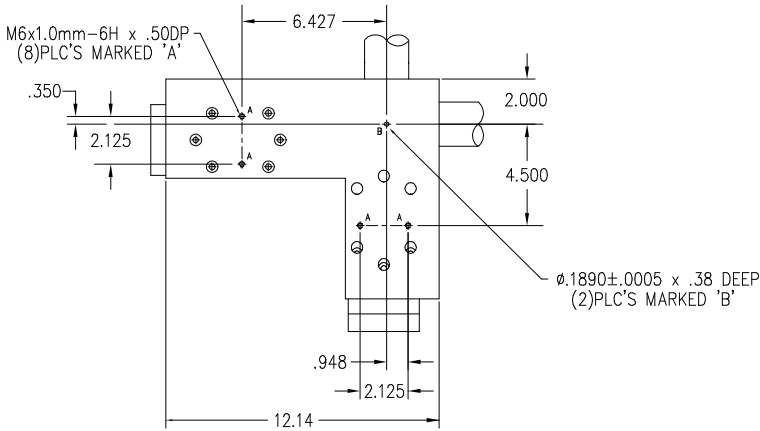
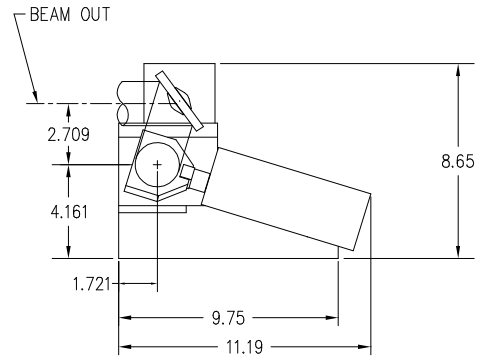
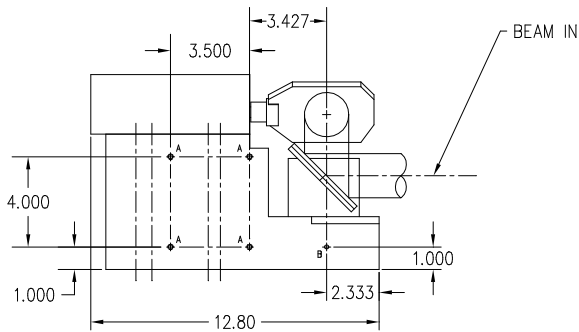


These drawings and specifications are the property of CAMBRIDGE TECHNOLOGY and shall not be reproduced, copied, or used as the basis for the manufacture, or sale of apparatus without the written permission of CAMBRIDGE TECHNOLOGY, INC.

REVISION			
ECO	REV	DESCRIPTION	CHK DATE
-	C	X-MR RELIEF MADE LARGER, EXIT BEAM CLEARANCE NOTCH ADDED BELOW Y-MR	PHI 12/94



UNLESS OTHERWISE SPECIFIED	DRAWN	CAMBRIDGE TECHNOLOGY, INC.
TOLERANCES	DWG	22 SILVER ST
XX = ±0.010	CHK	WATERTOWN, MA. 02172 - USA
XXX = ±0.005	ENG	
() INDICATES mm	APPN	6900 XY INTERFACE
ANGLES 0°-90°	PROJECTION	50mm±10' (MECH)
MATERIAL	FRSH	
	REVISION	D02448
USED ON	C	SCALE: HALF SHEET OF